

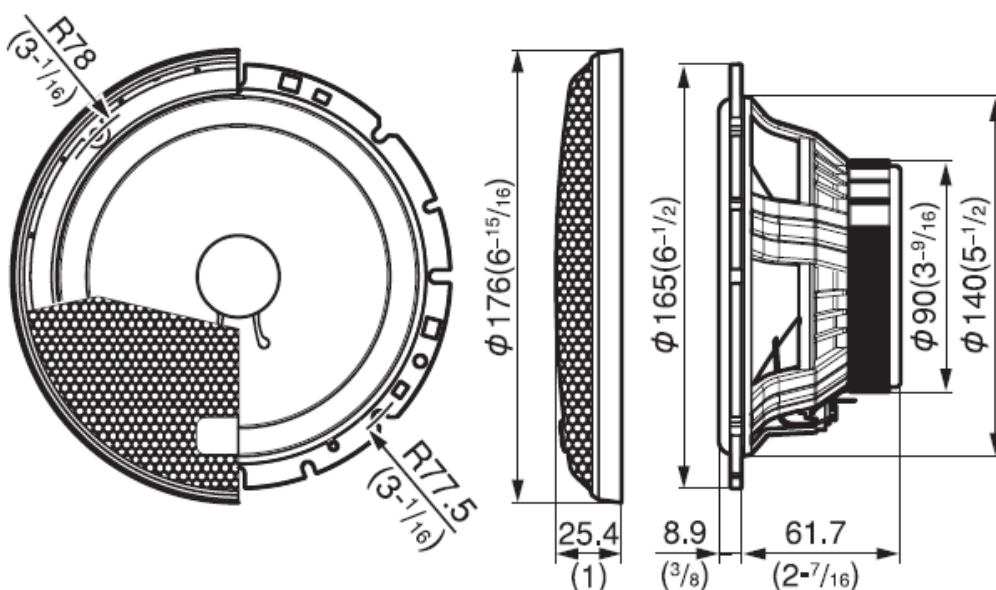
KFC-X1710P

Specifications

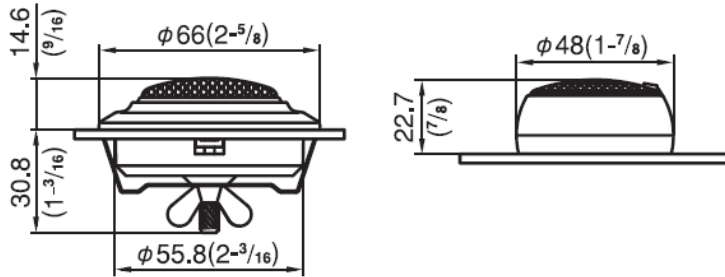
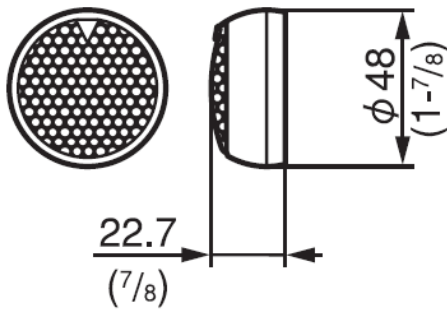
2-Way 2-Speaker System / 2-Wage 2-Lautsprecher-System / 2-2-weg 2-luidsprekersysteem / Diffusore a 2 vie e 2 altoparlanti / Sistema de 2 altavoces de 2 vías	
Woofer / Basses / Tieftöner/Altavoz de graves	170 mm (6-3/4") Cone
Tweeter / Aigus/Hochtöner / Altavoz de agudos	25 mm (1") Dome
Rated Impedance / Impédance nominale / Nenn-Impedanz / Nominale impedantie / Impedenza nominale / Impedancia nominal	2 Ω
Peak Input Power / Entrée de crête momentanée / Spitzenbelastung / Piekingangsvermogen / Picco istantaneo di ingresso / Potencia máxima de entrada	220 W
Rated Input Power / Entrée nominale / Nenn-Belastbarkeit / Nominaal ingangsvermogen / Ingresso nominale / Potencia de entrada nominal	55 W
Sensitivity / Niveau de pression sonore de sortie / Schalldruckpegel / Gevoeligheid / Pressione suono emesso / Sensibilidad	92 dB/W at 1m
Frequency Response / Réponse en fréquence / Frequenzgang / Frekwentierespons / Risposta in frequenza / Respuesta de frecuencia	35 ~ 30,000 Hz
Crossover Frequency / Fréquence de recouvrement / Übergangsfrequenz / Crossover-frekwentie / Frecuencia di crossover / Frecuencia de cruce	5,000 Hz
Net Weight / Poids net / Nettogewicht / Netto gewicht / Peso netto / Peso neto	Woofer 1,190 g (2.6 lb) Tweeter 40 g (1.4 oz)

Dimensions

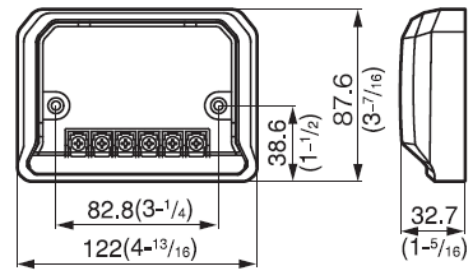
■ Woofer



■ Tweeter



■ Passive crossover network



Unit : mm (inch)
Unité : mm (pouces)

Technical specifications

	SYMBOL	UNIT	VALUE
Nominal Impedance	Z	Ω	2.0
DC Resistance	Revc	Ω	1.8
Voice Coil Inductance	Levc	mH	0.20
Resonance Frequency	Fs	Hz	75
Resonance Frequency Impedance	Zs	Ω	23.0
Mechanical Q Factor	Qms		5.63
Electrical Q Factor	Qes		0.62
Total Q Factor	Qts		0.56
Volume Acoustic Compliance	Vas	liter (cu.ft)	8.54 (0.302)
Moving Mass	Mms	g	12.27
Suspension Compliance	Cms	m/N	0.363×10^{-3}
Emissive Diameter of the Diaphragm	D	mm	128
Voice Coil Diameter	d	mm	30
Voice Coil Layers	n		2
Flux Density	B	T	0.86
Force Factor	BL	T·m	4.11
Weight of Magnet		g (oz)	330 (11.6)
Peak Excursion	Xmax	mm	0.4